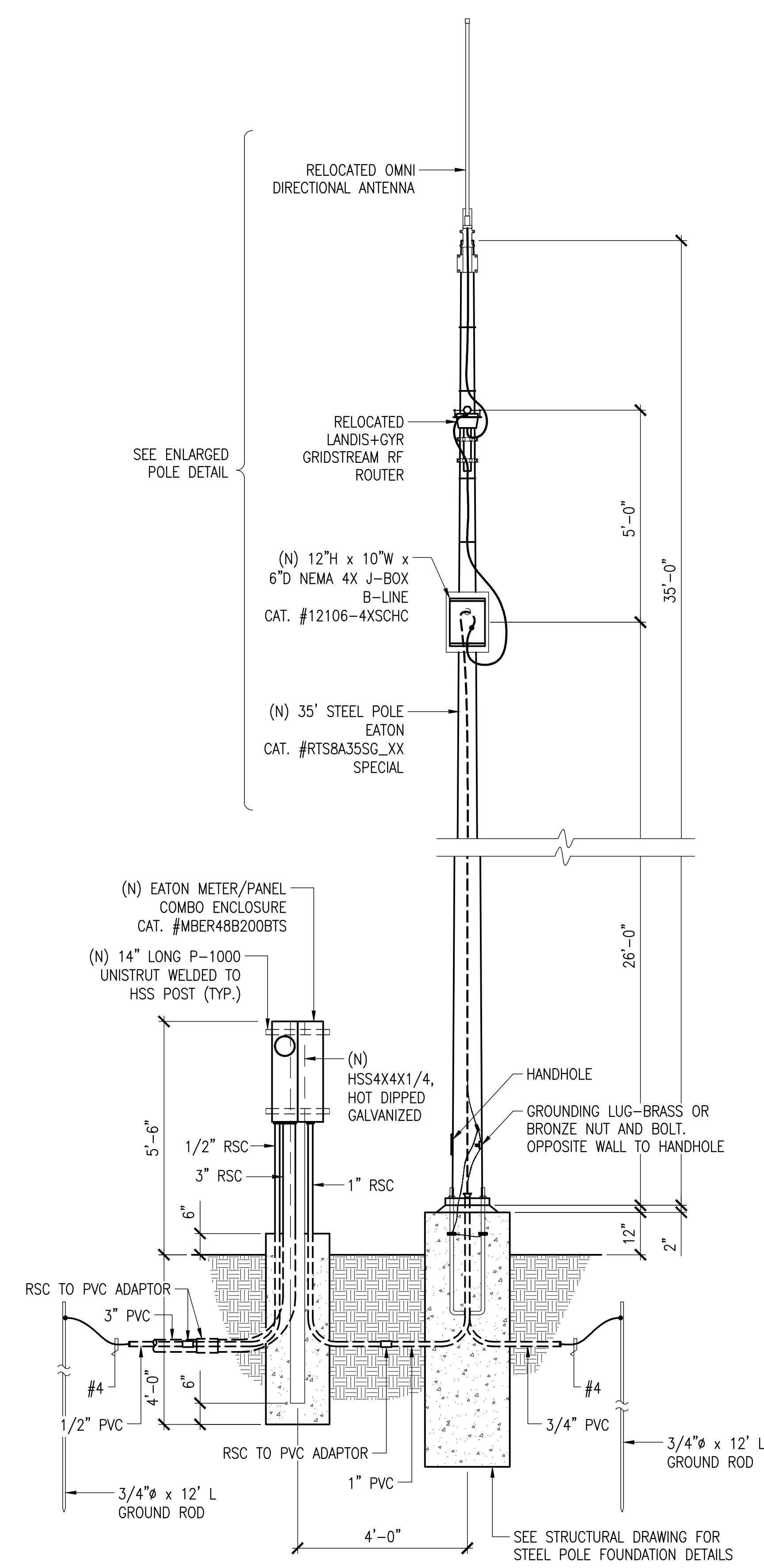
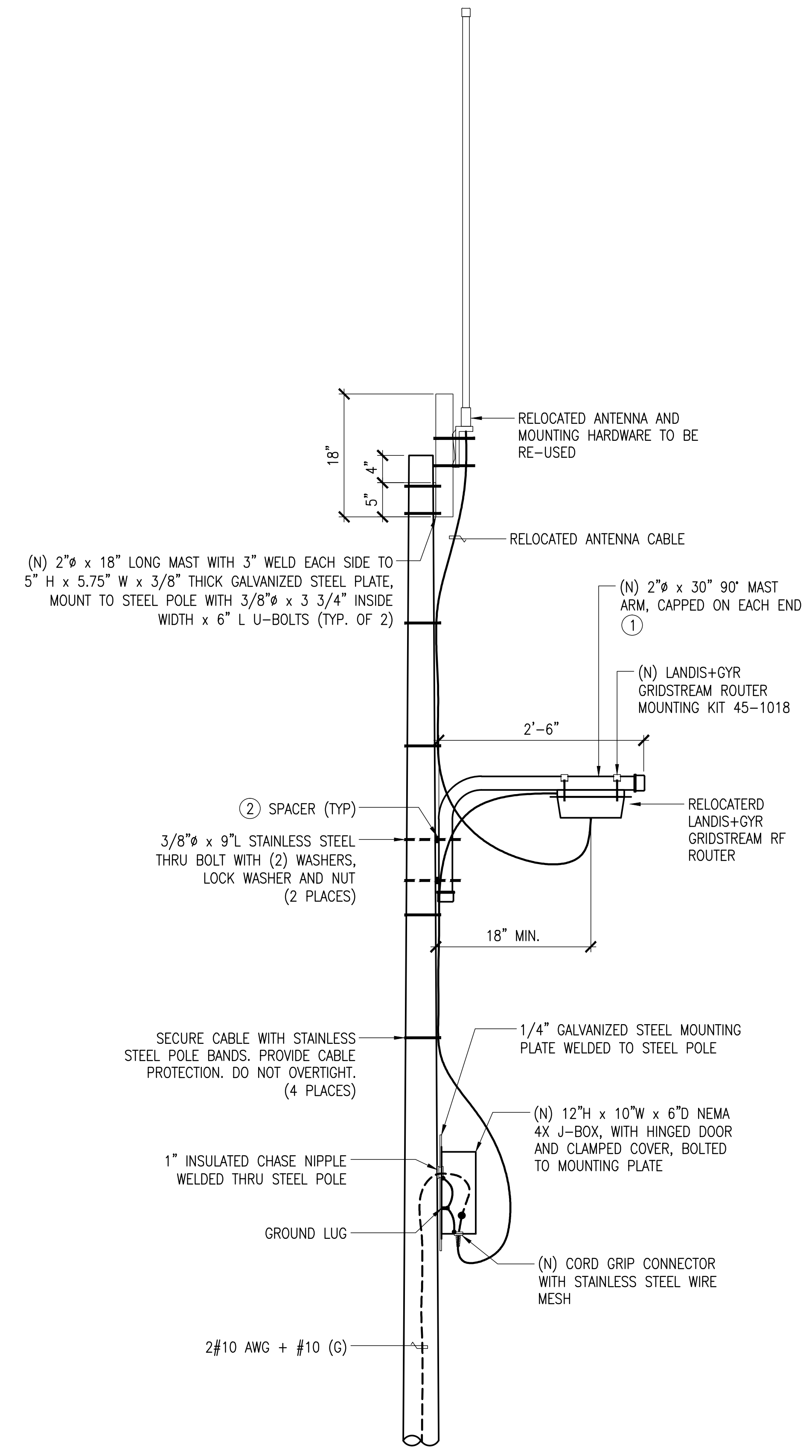
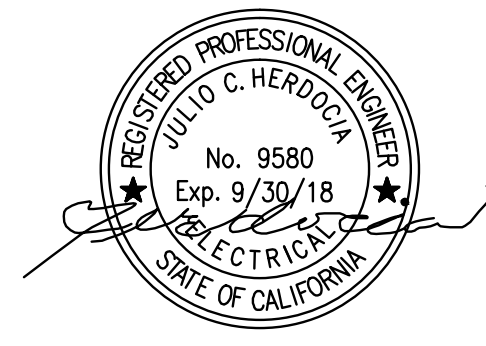


File: M:\17210-01 Antenna Pole Installation\01E2.dwg, 4/11/2017 4:22 PM, Last saved: Reotris, PlotDate: 4/11/2017 4:24 PM, By: Robbie Cotris, Plot scale: 1:1, Plot Size: ARCH full bleed D (24.00 x 36.00 inches)



1 ELEVATION
 SCALE: 1/2" = 1'-0"



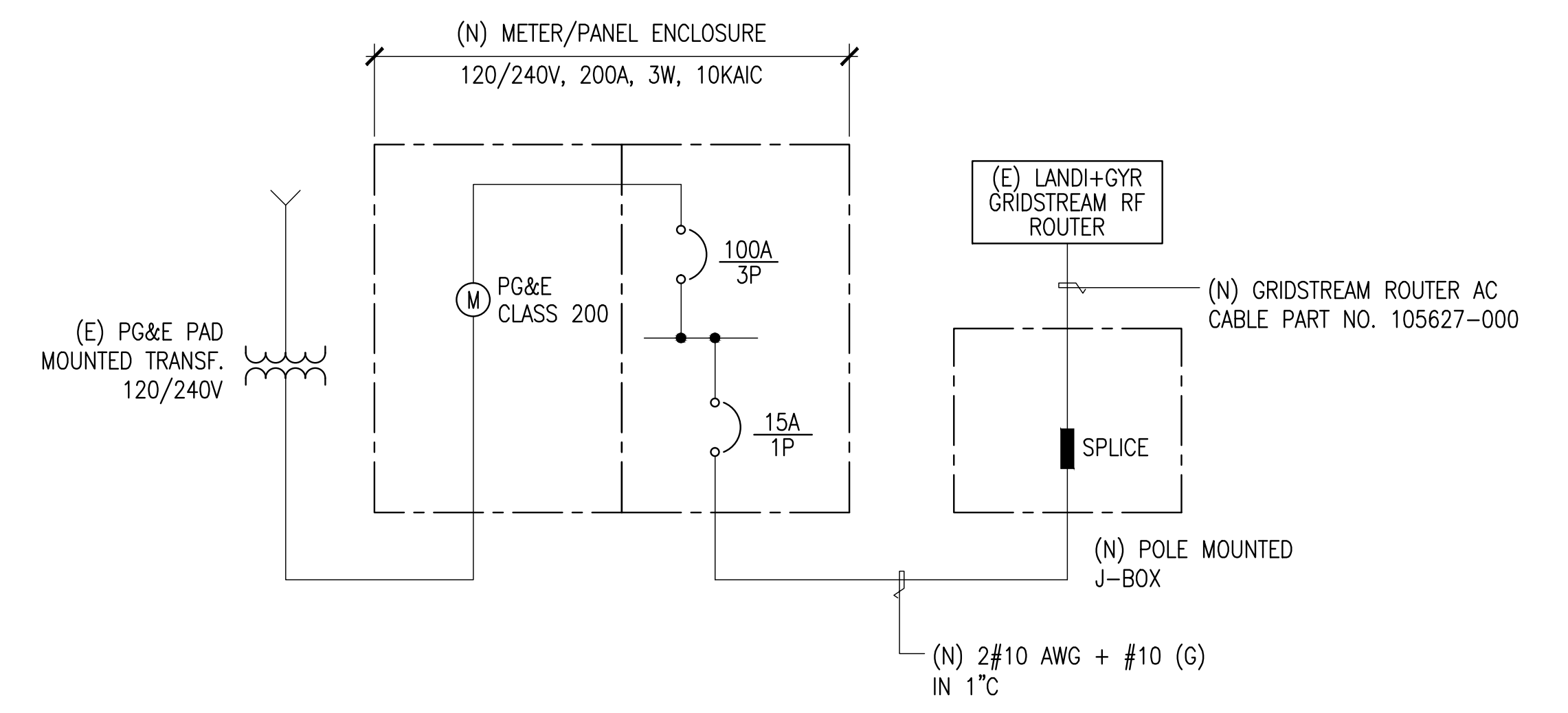
2 ENLARGED POLE DETAIL
 SCALE: 1/2" = 1'-0"

GENERAL NOTES:

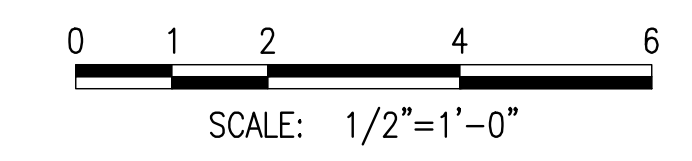
1. ALL UNDERGROUND CONDUITS SHALL BE PVC SCHED. 40.
2. ALL ABOVE GROUND CONDUITS SHALL BE GALVANIZED RIGID STEEL CONDUITS.
3. CONDUIT TRENCHING AND INSTALLATION SHALL BE PER PG&E REQUIREMENTS AND PM ORDER 31275541 DRAWING AND SPECIFICATIONS.

SHEET NOTES:

- ① 2"Ø MAST ARM AND END CAPS SHALL BE GALVANIZED RIGID STEEL.
- ② INSTALL SPACERS TO MAINTAIN SUFFICIENT SPACE FOR THE END CAP ON THE 30" MAST ARM.



3 SINGLE-LINE DIAGRAM
 SCHEMATIC



engineers, inc. 3350 scott blvd., bldg. 11
 santa clara, ca 95054
 (408) 986-8558

ANTENNA POLE INSTALLATION
 410 PULLMAN ROAD
 SINGLE-LINE DIAGRAM
 AND DETAILS

NO	DESCRIPTION	CHECKED	APPROVED	DATE
REVISIONS				

CLIENT	DRAWN	DATE
TOWN OF HILLSBOROUGH	RMC	
	ENGR	
	JCH	
	CHECKED	
	JCH	
	APPROVED	
	JCH	

PROJECT NO	17210-01	REV. NO.	E-2
SCALE	AS NOTED	DO NOT SCALE DRAWING	SHEET ___ OF ___